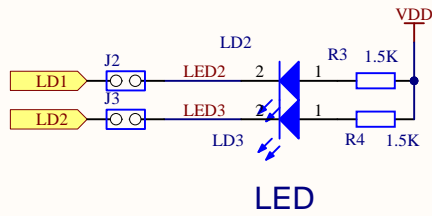
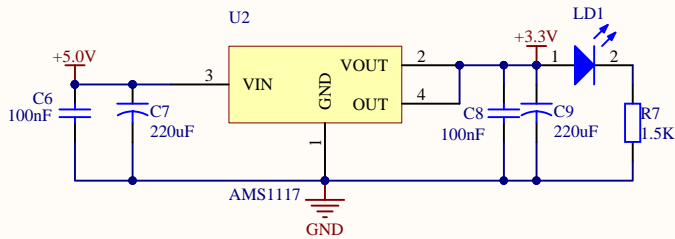
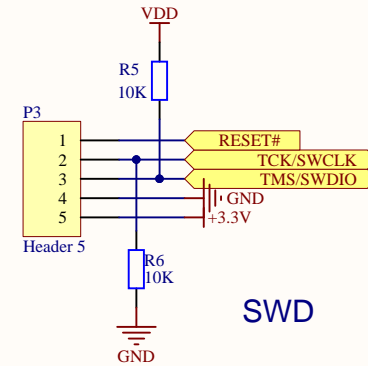


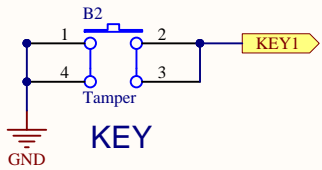
**POWER**



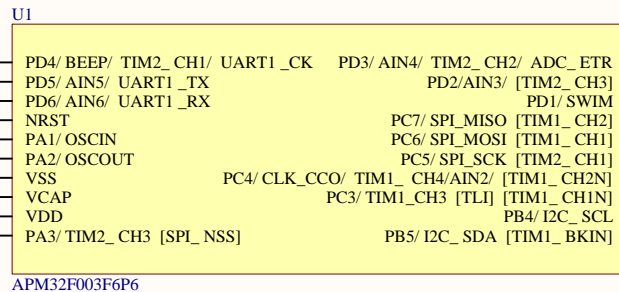
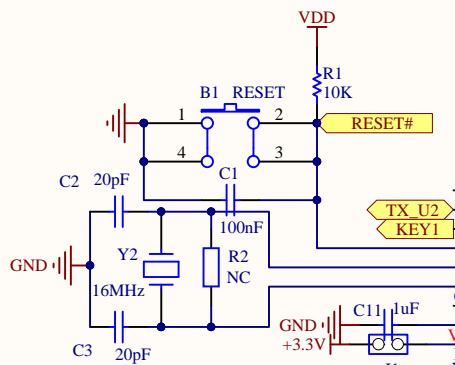
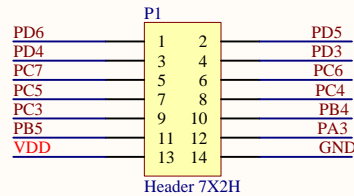
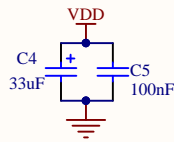
**LED**



**SWD**



**KEY**



APM32F003F6P6

|                                       |                |              |
|---------------------------------------|----------------|--------------|
| Company: Geehy Semiconductor Co.,Ltd. |                |              |
| Title: APM32F003F6P6 MINIBOARD        |                |              |
| Revision: 1.0                         | Data: 20191224 | Sheet 1 of 1 |