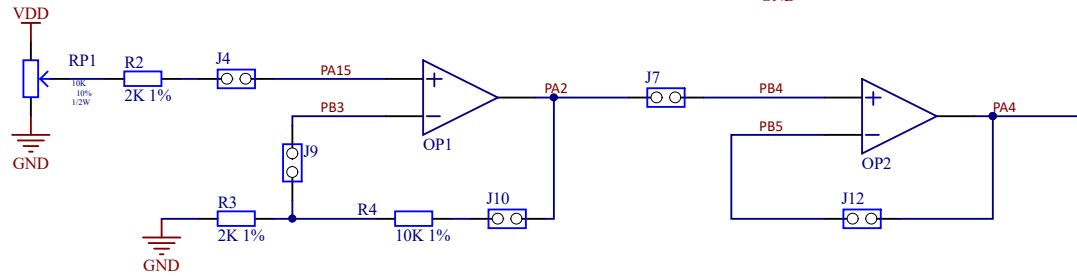
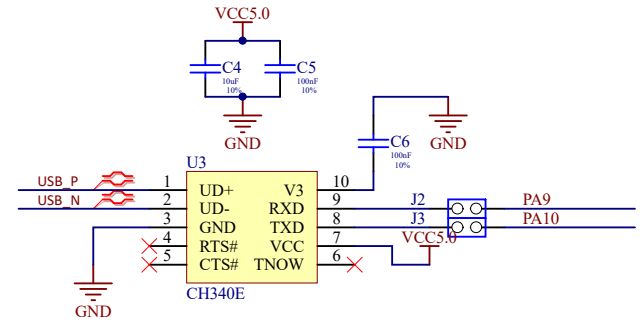
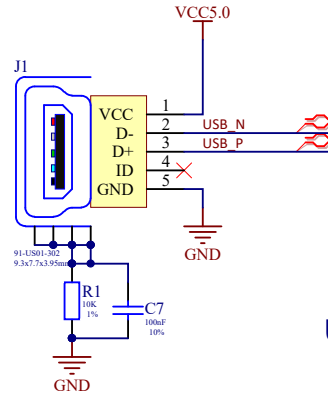
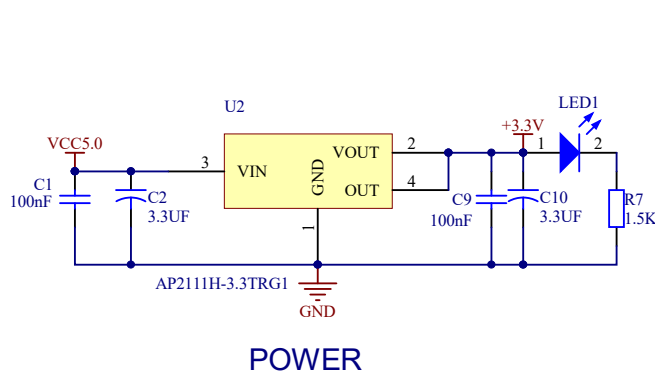


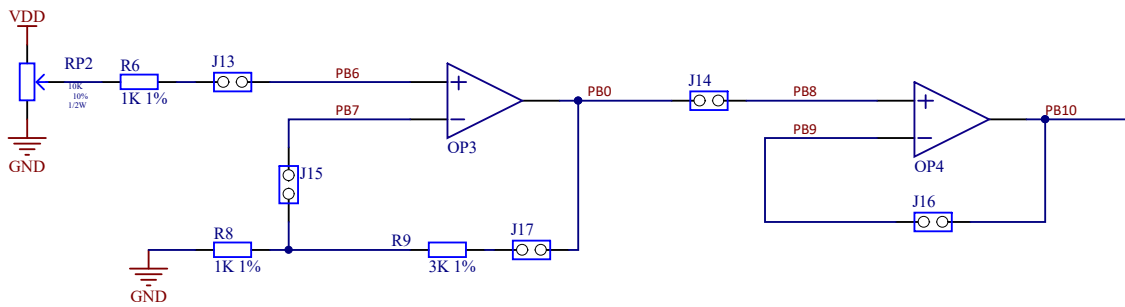
GPIO



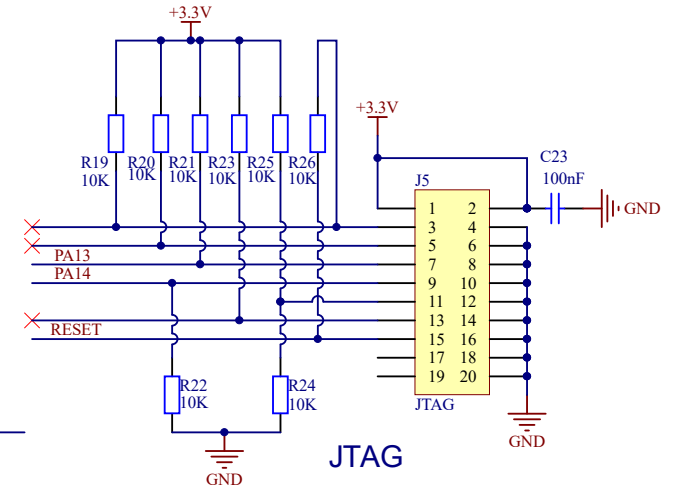
ProjectName	APM32F035-MINIBOARD V1.0		
DocumentName	MCU		
Page Number	1/2	Date	20230818



$$VO=[VRP1*(1+R4/R3)]$$



$$VO=[VRP2*(1+R9/R8)]$$



Geehy	ProjectName	APM32F035-MINIBOARD V1.0		
	DocumentName	Power&Communication		
	Page Number	2/2	Date	20230818