


Power Supply

 http://www.geehy.com	ProjectName	APM32F072VB-EVAL V1
	DocumentName	Power Supply
	Page Number	1/6

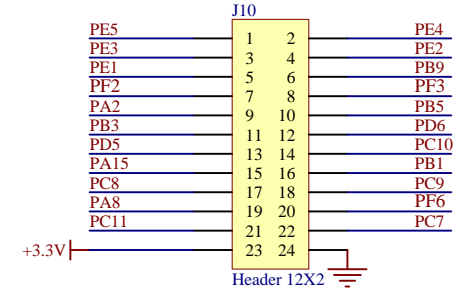
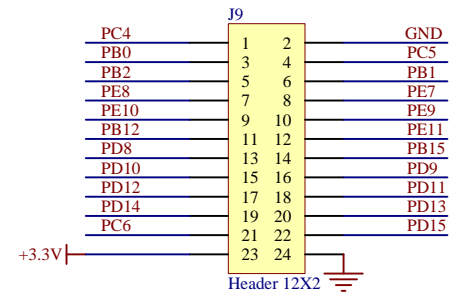
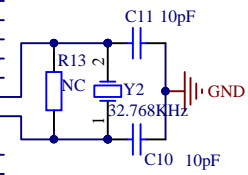
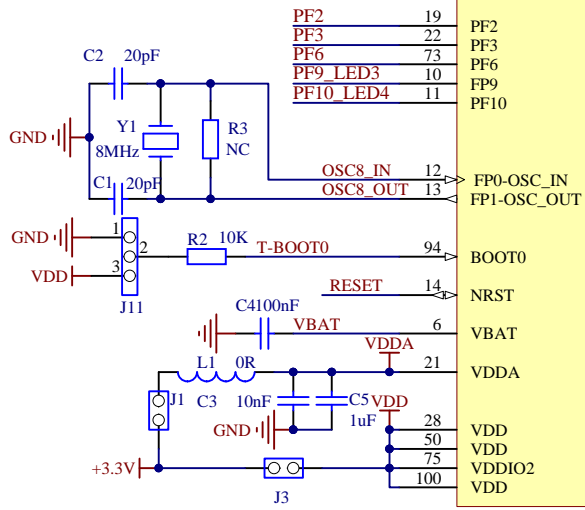
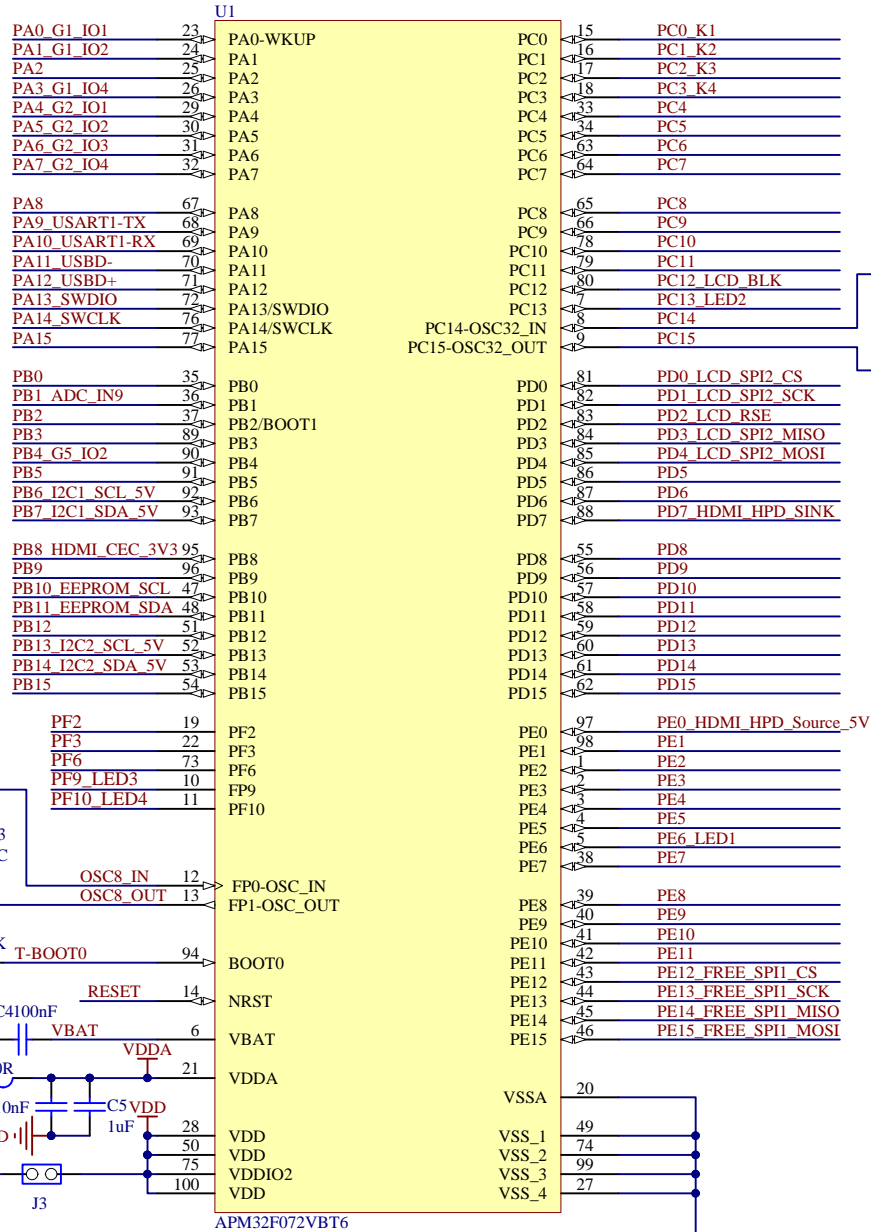
Page2:MCU&Connector.SchDoc

1

2

3

4



Extension connector



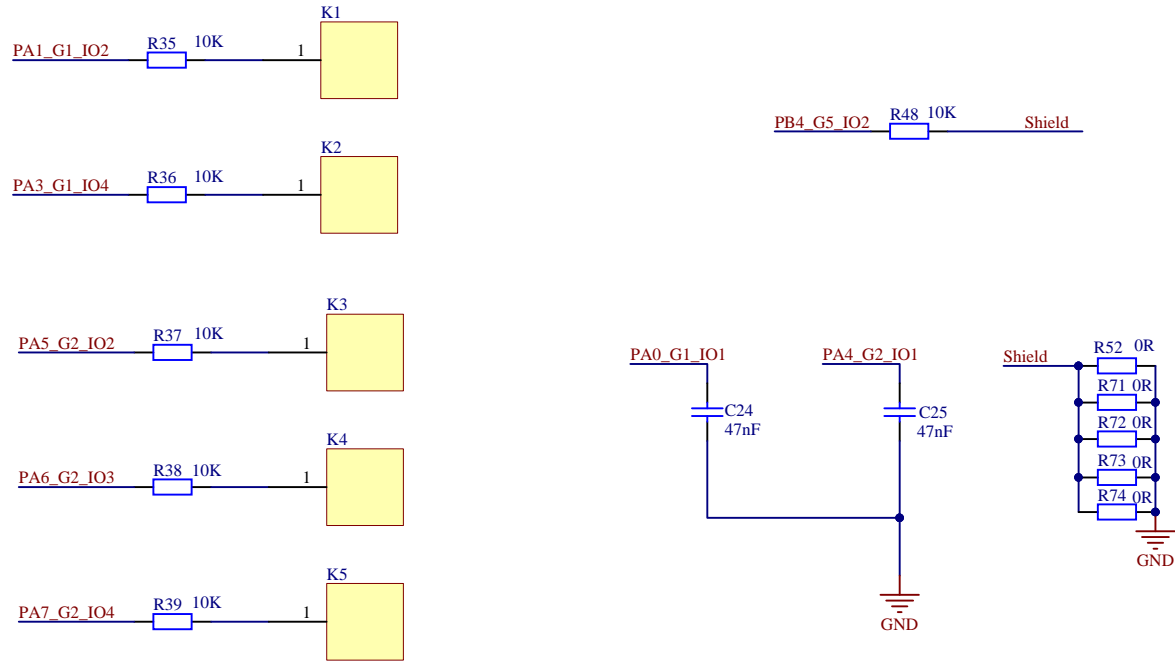
 http://www.geehy.com	ProjectName	APM32F072VB-EVAL V1
	DocumentName	MCU&Connector
	Page Number	2/6

1


2

3

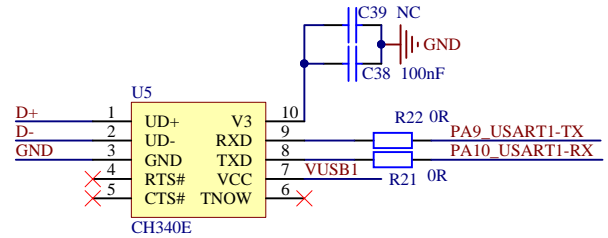
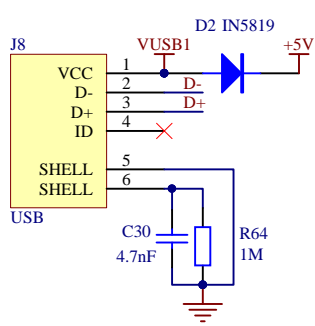
4



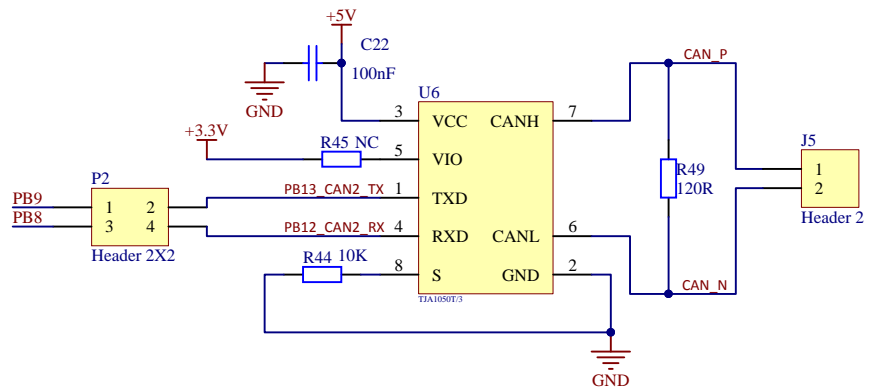
TSC

 http://www.geehy.com	ProjectName	APM32F072VB-EVAL V1
	DocumentName	TSC
	Page Number	3/6

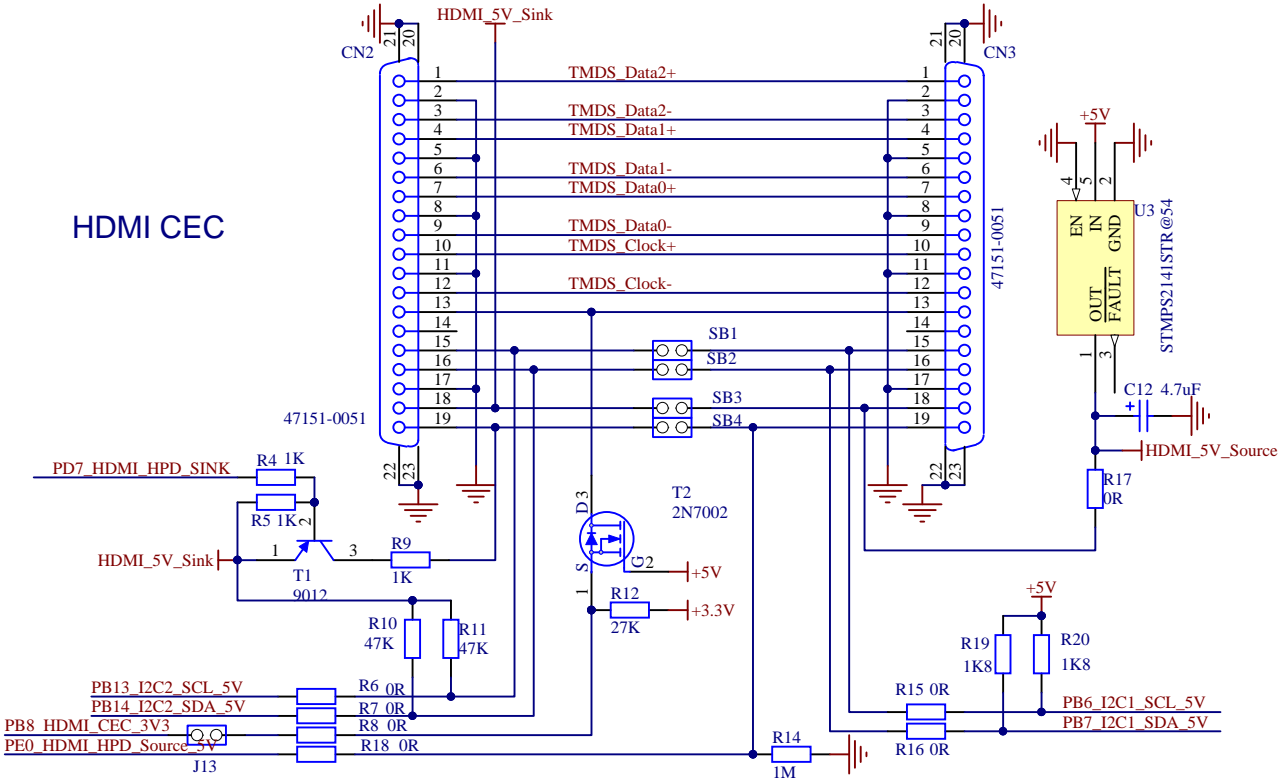
Page4:Communication.SchDoc



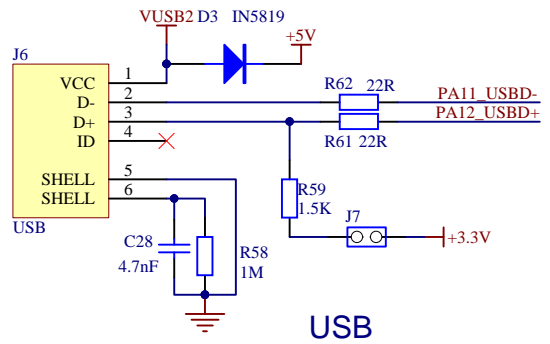
USB TO Uart




CAN BUS



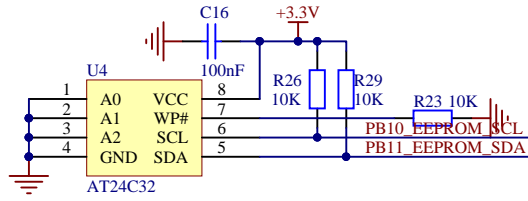
HDMI CEC



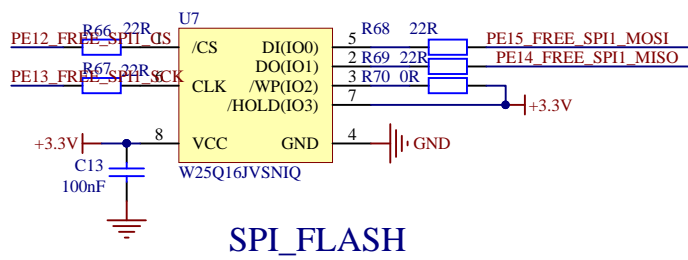
USB

 http://www.geehy.com	ProjectName	APM32F072VB-EVAL V1
	DocumentName	Communication
	Page Number	4/6

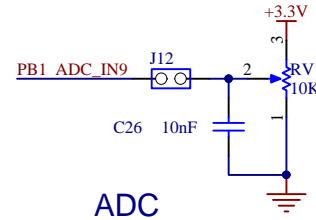
Page5:Memory&ADC&SWD.SchDoc



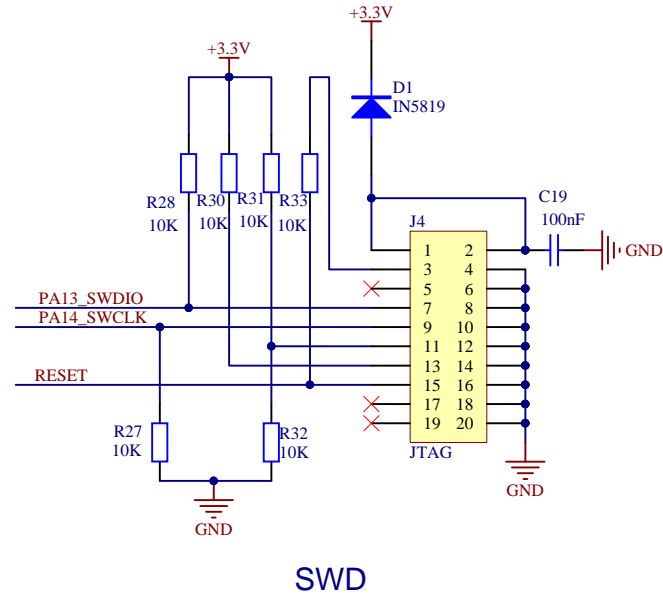
EEPROM




SPI_FLASH



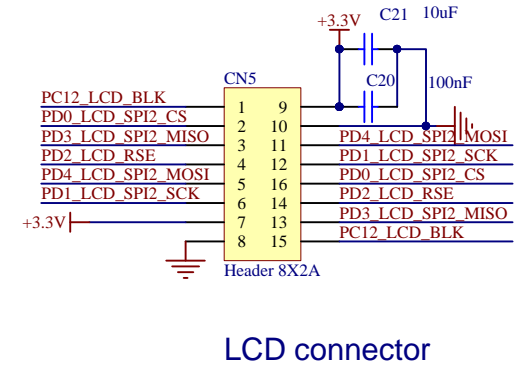
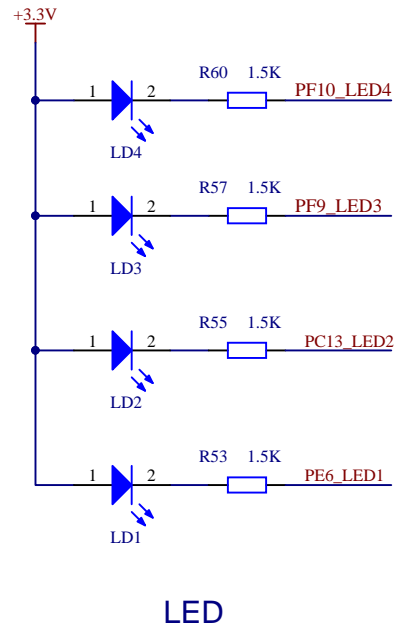
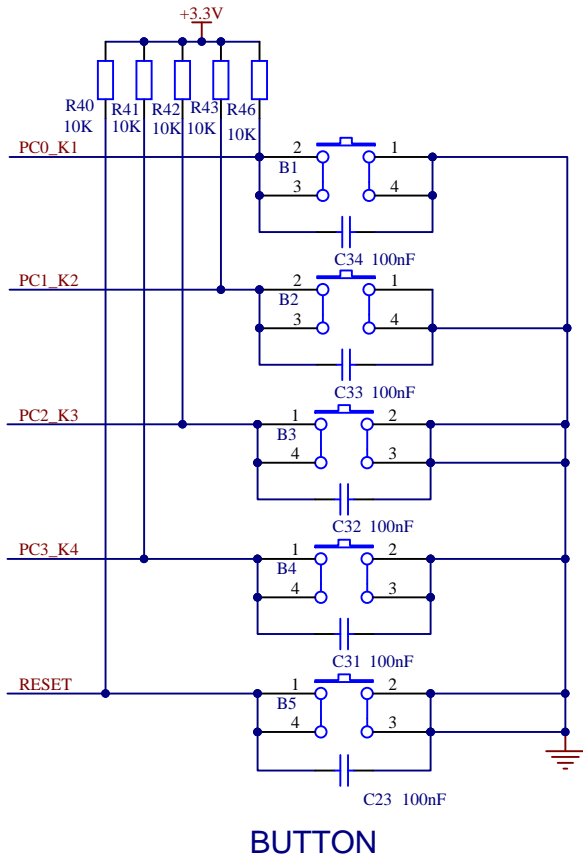
ADC




SWD

 http://www.geehy.com	ProjectName	APM32F072VB-EVAL V1
	DocumentName	Memory&ADC&SWD
	Page Number	5/6

Page6:Display&Button.SchDoc



 http://www.geehy.com	ProjectName	APM32F072VB-EVAL V1
	DocumentName	Display&Button
	Page Number	6/6