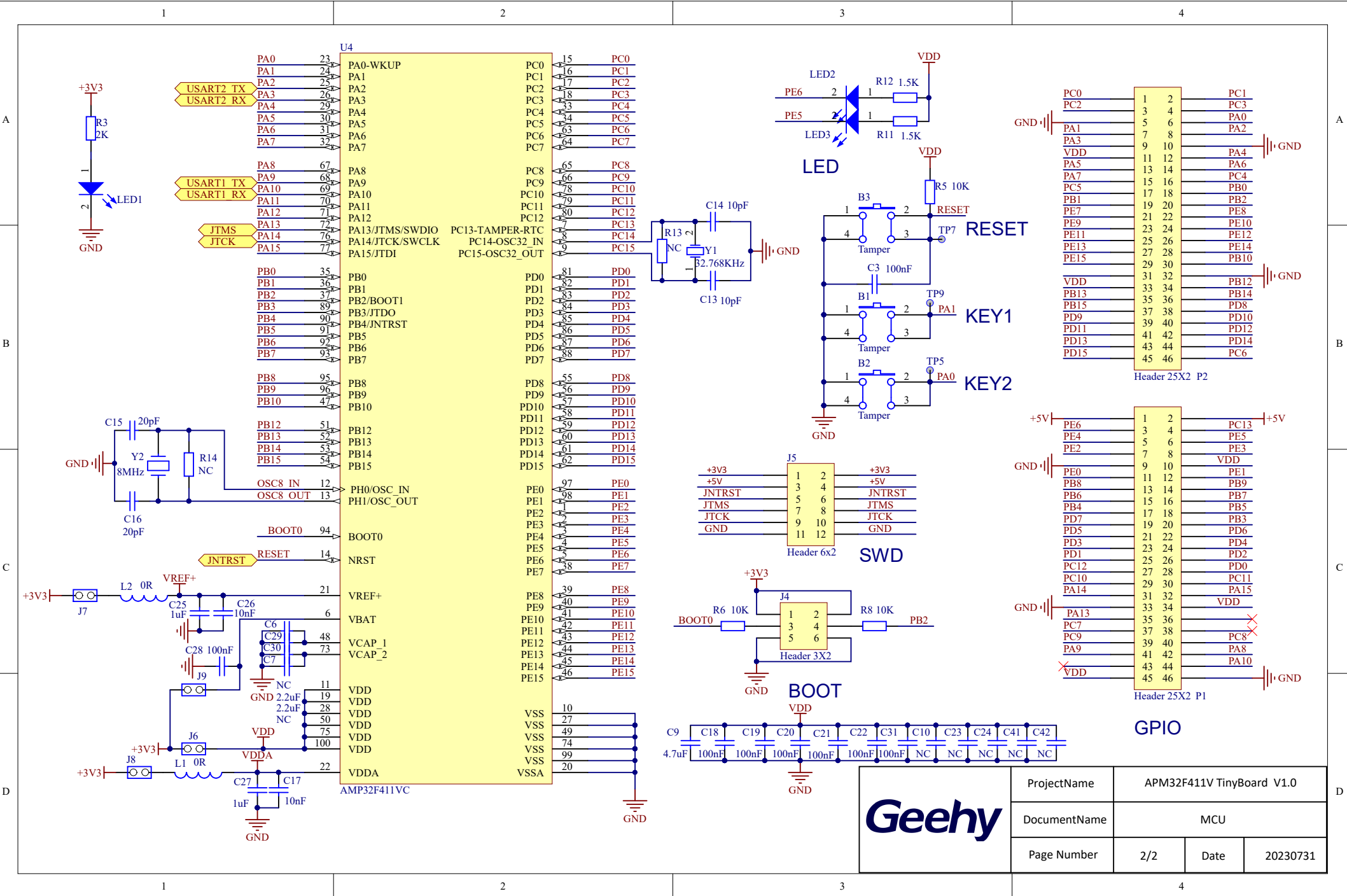


USB

Geehy	ProjectName	APM32F411V TinyBoard V1.0		
	DocumentName	Power		
	Page Number	1/2	Date	20230731



		ProjectName		AMP32F411V TinyBoard V1.0	
		DocumentName		MCU	
Page Number		2/2	Date	20230731	