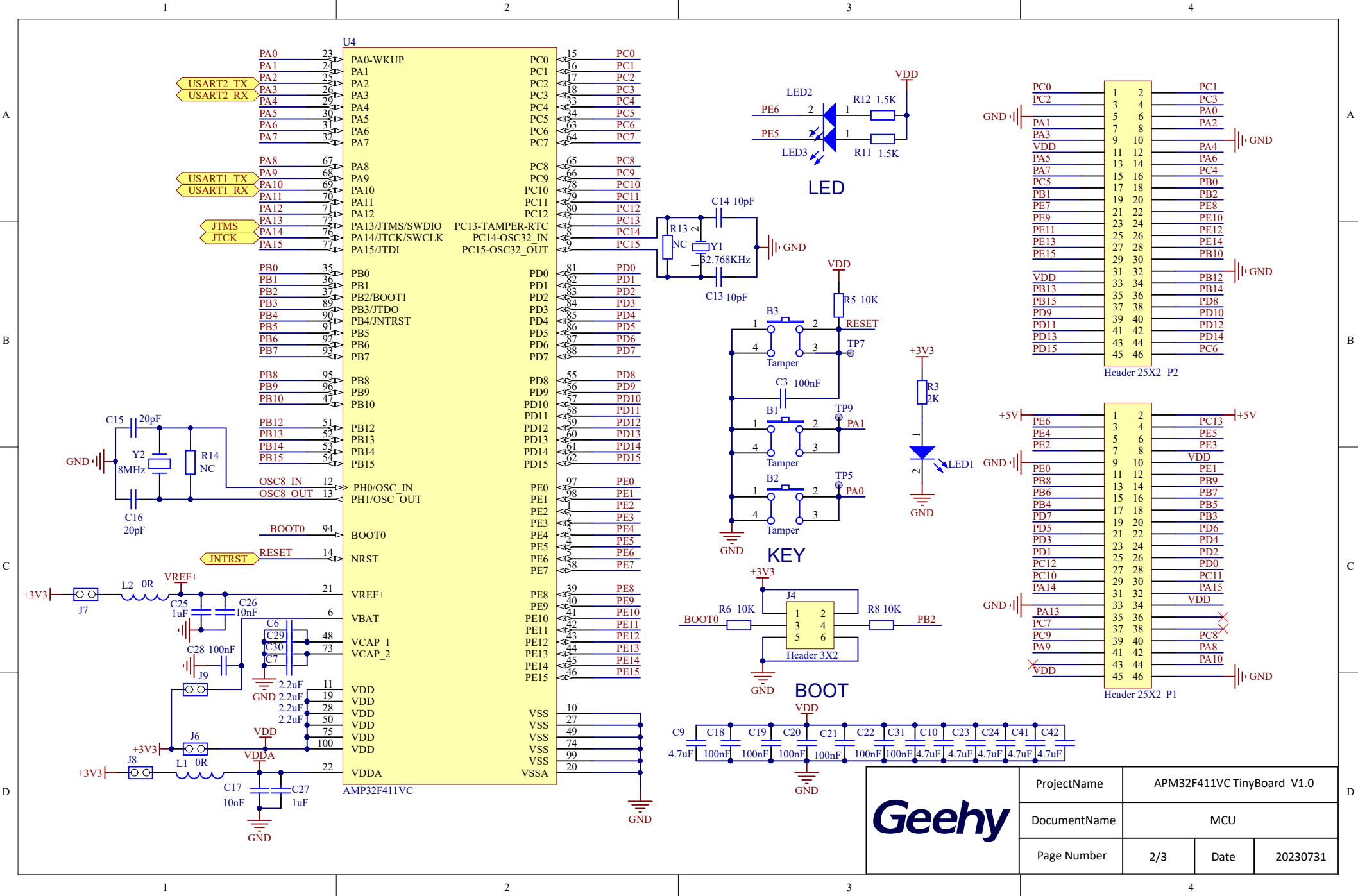
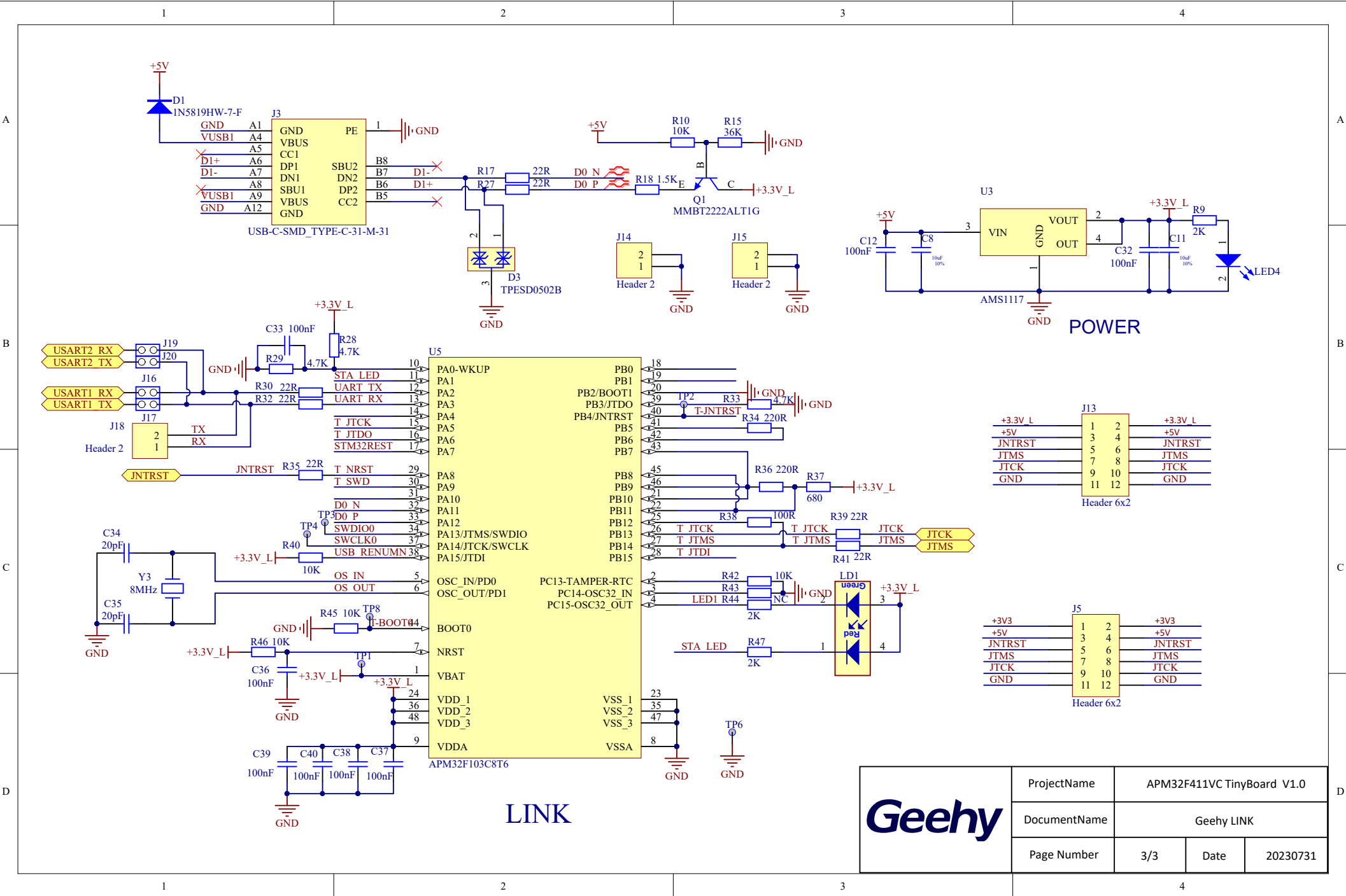


### USB

<b>Geehy</b>	ProjectName	APM32F411VC TinyBoard V1.0		
	DocumentName	Power		
	Page Number	1/3	Date	20230731





LINK



ProjectName	APM32F411VC TinyBoard V1.0		
DocumentName	Geehy LINK		
Page Number	3/3	Date	20230731